

NORTH AMERICAN DESIGN

3 YEARS EXTENDED WARRANTY



Short Head Cavity

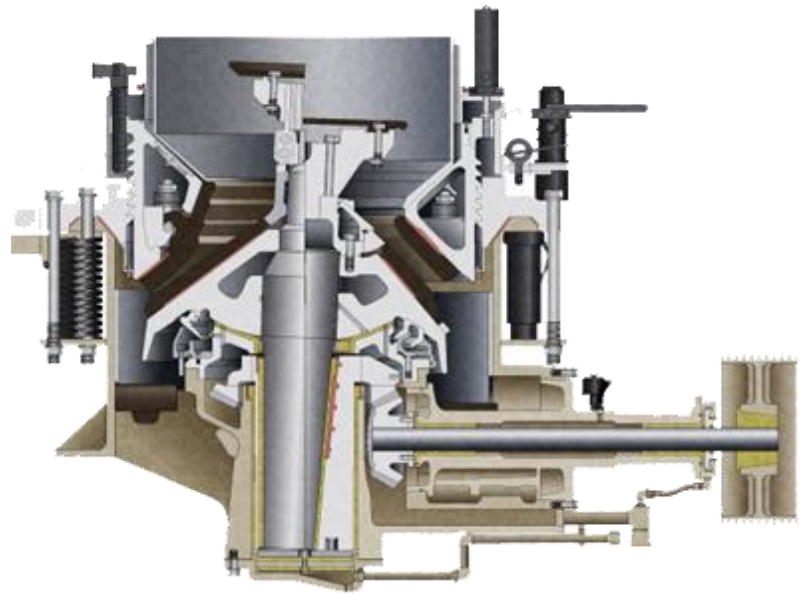
The Sytechs ST-S PYSD series Short Head cone crushers are designed to produce more of fine to medium size aggregates. This type of cones are mainly used in tertiary and quaternary crushing stages in quarries and mineral mines

Proven Reliability

The reliability and safe operation of the Sytechs cone crushers are the result, among other things, of their high-quality steel. Their reliability in demanding crushing applications is guaranteed by (Sytechs) acclaimed metallurgical know-how and ongoing development projects involving manganese materials and metallurgical compounds.

Low Production Costs

Sytechs has used its long experience in liner profile design and its know-how in wear part metallurgy to minimize the cost of worn manganese per tons produced.



SYTECHS SHORT HEAD CONE CRUSHERS

Type	ST-PYS-D				ST-PYS-D			
Model	603	605			904	906	907	
Cavity	F	M			F	M	C	
Diameter of Cone	600 (2')				900 (3')			
Feed Opening (mm)	35	51			41	60	76	
Discharge Setting (mm)	3-13	5-16			3-13	3-16	6-19	
Capacity (Tons/hr)	9-36	16-50			27-90	27-100	59-127	

Type	ST-PYS-D				ST-PYS-D			
Model	1205	1207	1208	1211	1306	1308	1310	1313
Cavity	F	M	C	EC	F	M	C	EC
Diameter of Cone	1200 (4')				1259 (41/4')			
Feed Opening (mm)	57	73	89	117	64	89	105	133
Discharge Setting (mm)	5-16	10-16	13-19	13-25	3-16	6-16	10-25	19-25
Capacity (Tons/hr)	50-132	90-145	141-181	145-218	36-163	82-163	109-227	209-236

Type	ST-PYS-D			ST-PYS-D			
Model	1607	1608	1613	2110	2113	2117	2120
Cavity	F	M	C	F	M	C	EC
Diameter of Cone	1676 (5 1/2')			2134 (7')			
Feed Opening (mm)	70	89	133	105	133	178	203
Discharge Setting (mm)	5-13	6-19	10-25	5-16	10-19	13-25	16-25
Capacity (Tons/hr)	90-209	136-281	190-336				

For more technical details, please download the brochure

Soft Start Drive (SSD) System

The ST-S Series Cone crushers are supplied with Soft Start Drives (SSD) System which are used to limit inrush current associated with electric motor startup. Soft-start drives lower the initial voltage by adding solid-state series impedance and ramp up until full speed is achieved. Doing this extends the life of the motor and mechanical components that are connected to it. The SSD also eliminates high inrush current on large electric motors which places a high demand (Power Surge) on the electrical supply system and often results in extra cost and larger power generators.

Guaranteed performance when original Symonstechnology (Sytechs) parts are used, a long lifetime of the cone crusher is guaranteed

Wearing parts are available with High Manganese MN13%, Mn18%, Mn21%